

Multidoor

SOYAL®

Access control system

simple . flexible . secure

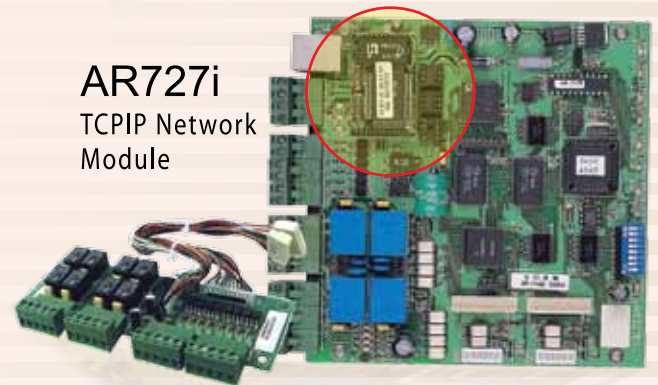


SOYAL multidoor controller. Advanced & more extensive control of who (card user), which door (door group), when (time zone) using what method (card and/or pin). High capacity 15,000 user of GLOBAL anti-passback across all online readers.

- 4 programmable input and 4 weekly scheduled output for automation function. Support I/O expander for additional 8 input & 8 output.
- Centralized door lock control for each reader to achieve tamper proof security.
- Provide more efficient data collection and monitoring of each reader. Alarm notification if reader offline, force entry or anti-passback error.
- Expiry date for all users.
- Door auto unlock following pre-set time zone schedule.
- Schedule auto reset of anti-passback.
- Output for parking full or empty.
- Can use online reader to manually control other electrical equipments.
- Support different access mode within the same day for tighter security. Eg. Morning is card only, Night is card & pin and no access after midnight.
- Emergency all door open through software or push button.



AR716E
Multidoor Controller



AR727i
TCPIP Network
Module

AR716EIO
Expander Relay Board



Programmable Input / output



15000 User



Multi Parking



Multi Door access



Centralized Control



ONE FOR ALL HARDWARE, ALL IN ONE SOFTWARE

Multidoor RFID access control system



AR716E is a multi door controller. It can support up to 16 online reader in combination of AR721H, AR727H, AR721U, AR737U, AR737H, AR661U. AR716E offer more precise access control that can cater to large capacity and more demanding requirement.

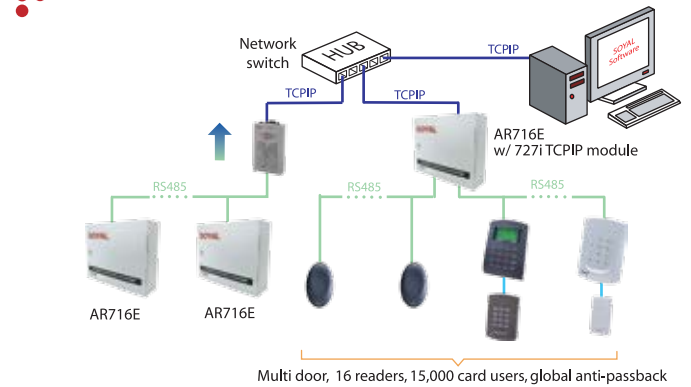
AR716E specification

Card user	15000
Event memory	11000
Time zone	63
Holiday per year	120
Door group	255
Anti-passback	Global anti-passback among 16 readers
Node address setting	On board DIP switch
Automation function	Programmable 4 input and 4 output
Duress function	4 set of duress pin number
DirectPC software support	YES
Programming method	Program new user and operation parameters through software.
Max reader supported	16 readers
External Wiegand port for anti-passback function	2 port for in and out
User expiry date setting	Full range for 15000 users for ending expiry date only.

RS485 network connection



TCPIP network connection



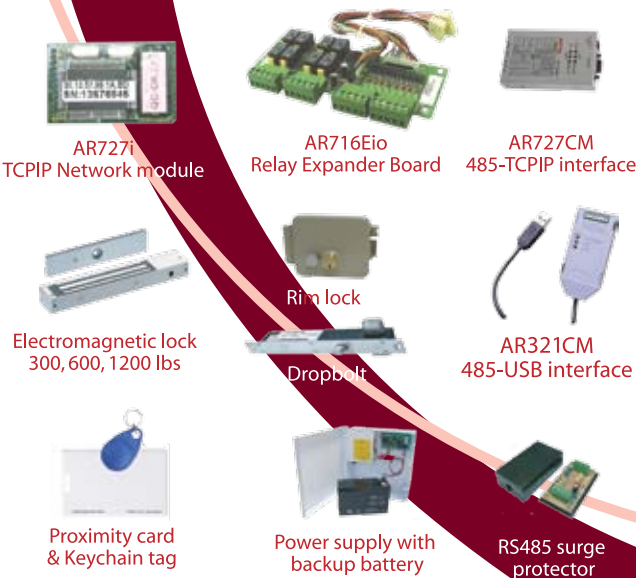
AR716E Parameter

Door unlock time interval	Pre-set time 0.1 to 600 sec
Alarm relay output (Buzzer)	12V / 2A N.O. / N.C. (set by jumper) COM common 0-600 sec
Serial port	RS485, 9600bps (N,8,1)
Power consumption	15-24VDC. Less than 2.5W
Dimension (mm)	128 (L) x 96 (W) x 41 (H)
Weight	240 g

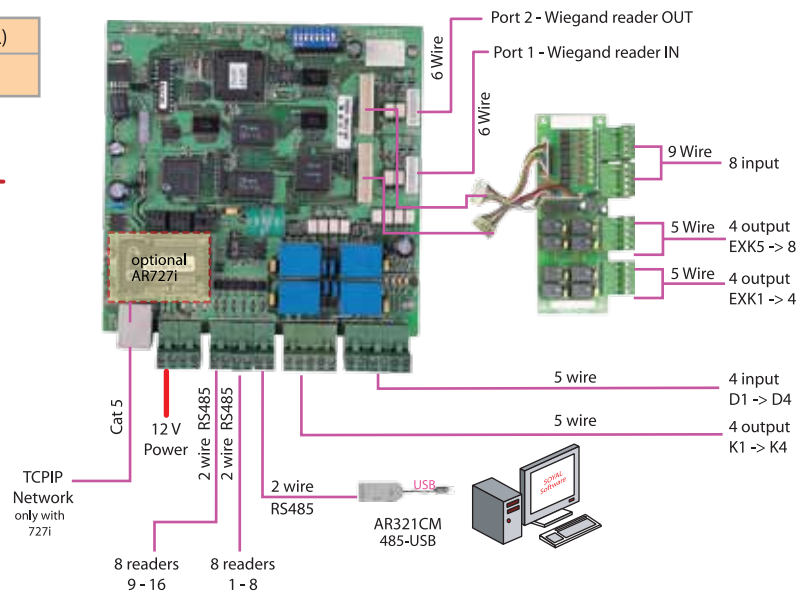
AR 727i Parameter

Interface	10/100M Base T Ethernet UART (TTL)
Baud Rate	4800bps - 115200bps

Accessories



716E connection



Authorized dealer

SOYAL®

Features, specifications and dimensions are subject to change without notice.

WWW.SOYAL.COM.MY