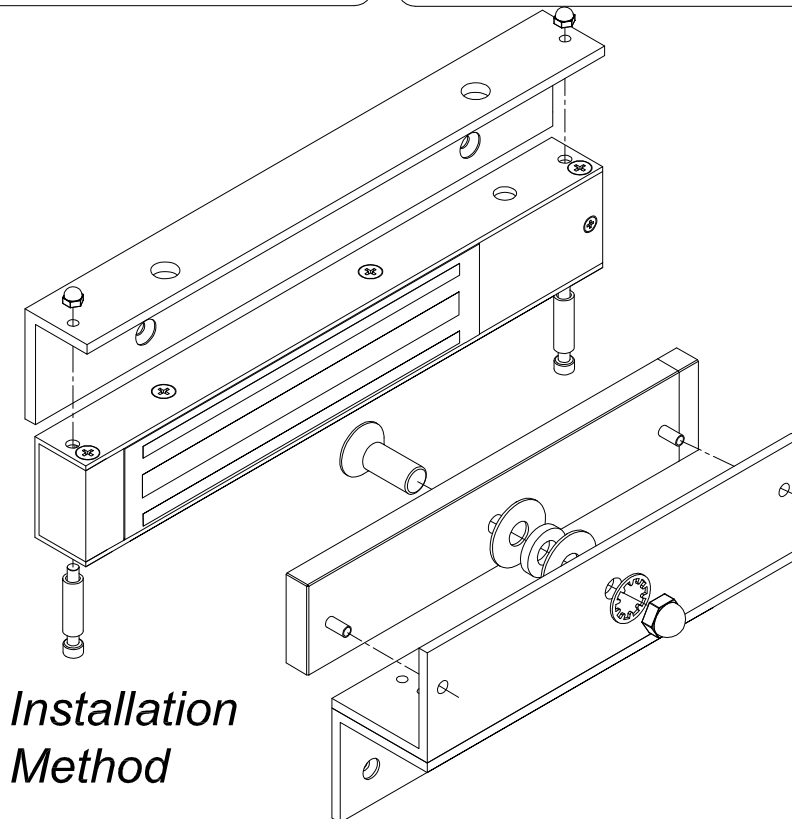
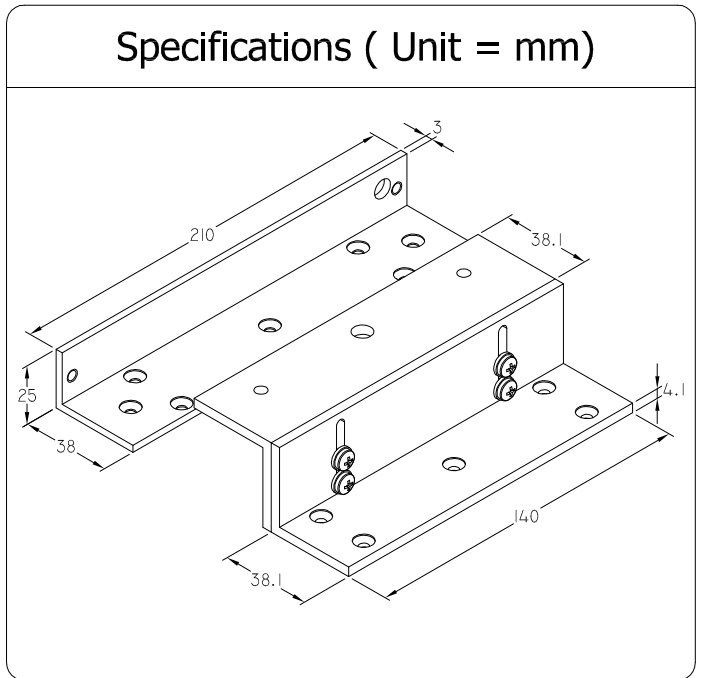
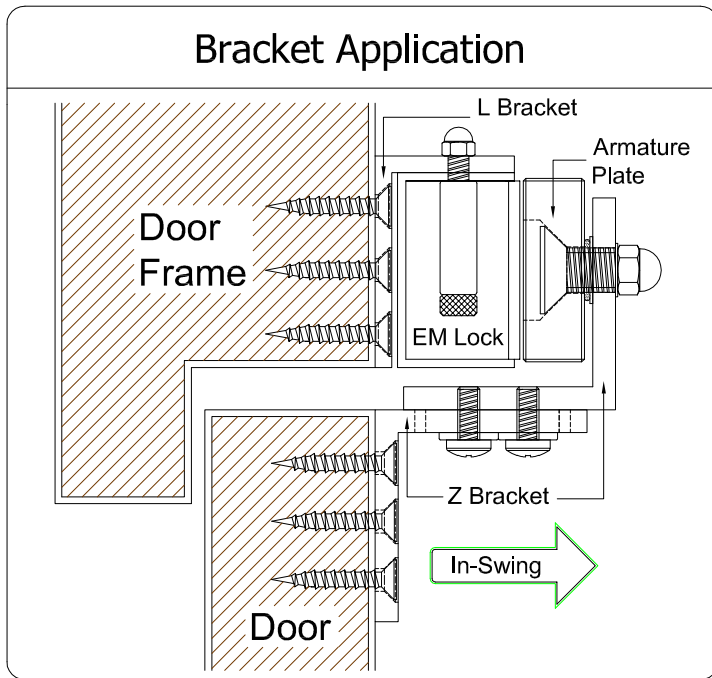


EM300LED - ZL Bracket

(In - Swing Door Application)



*Installation
Method*

SECURITY . QUALITY . RELIABILITY