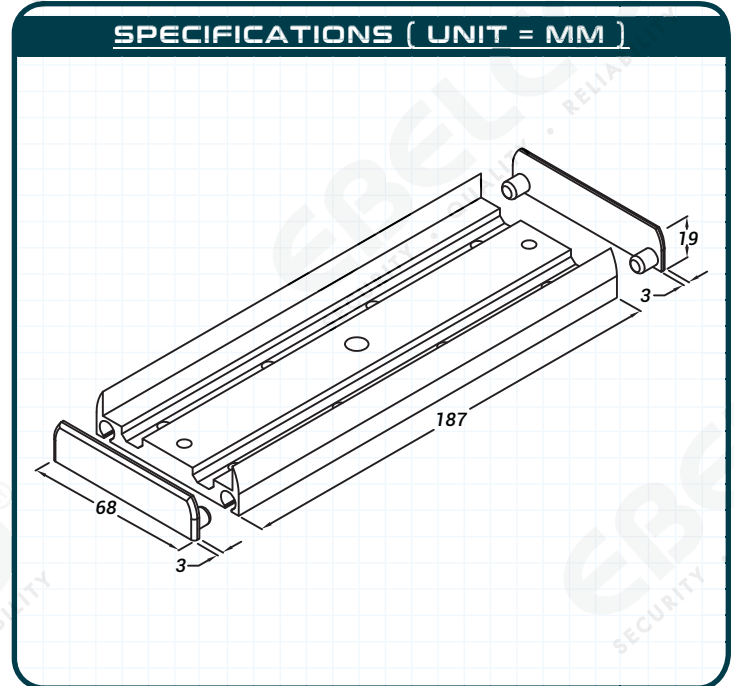
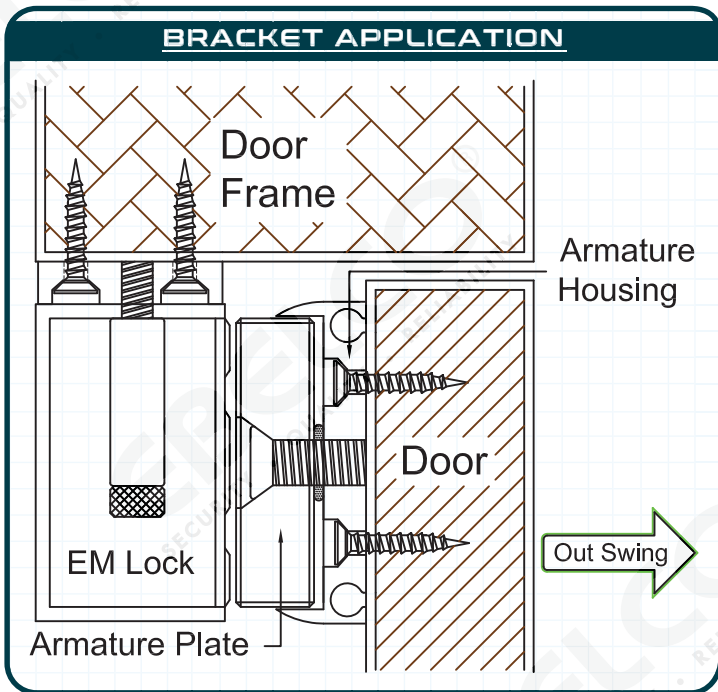


# [AH-1200]

## [ARMATURE HOUSING BRACKET]

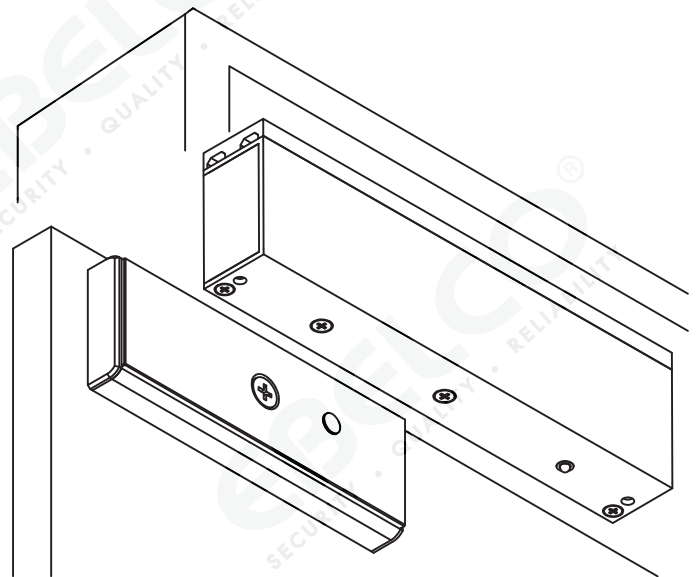
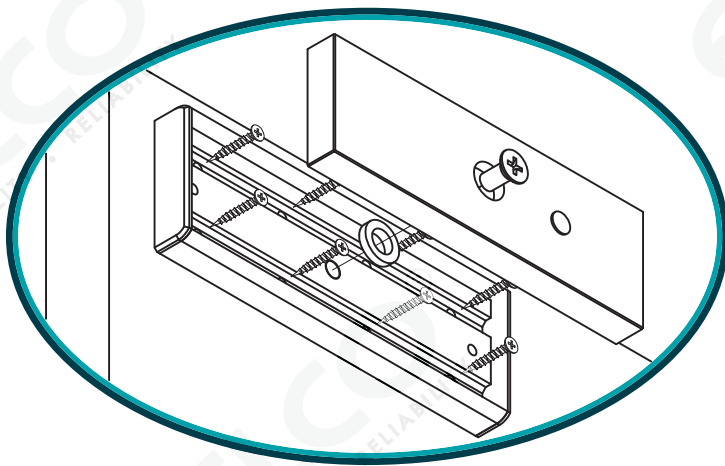
### [FIRE DOOR APPLICATION]



### INSTALLATION METHOD

#### FEATURES

- + More easy, fast and accurate fixing work instead of drilling a big hole ( $\varnothing 13.0\text{mm}$ ) through the door for the traditional Sex Bolt and Nut.
- + More improved vandal-resistant purpose as the armature plate fixing is invisible from the other side of door.
- + More applicable to various size of doors.
- + More solid outlook and nice presentation.



**DISCLAIMER :** EISB reserve the right to change with any modifications or features or price without forewarning. All the information and specifications stated in this document are current at the time of publication.

**SECURITY . QUALITY . RELIABILITY**

**EBELCO INDUSTRIES SDN. BHD.** 474704-V

16, Jalan TTC 26, Taman Teknologi Cheng,  
75250, Melaka, Malaysia.

☎ : [+606] 333 8855

☎ : [+606] 333 8822

🌐 : [www.ebelco.com](http://www.ebelco.com)

✉ : [enquiry@ebelco.com](mailto:enquiry@ebelco.com)



[WWW.EBELCO.COM](http://WWW.EBELCO.COM)